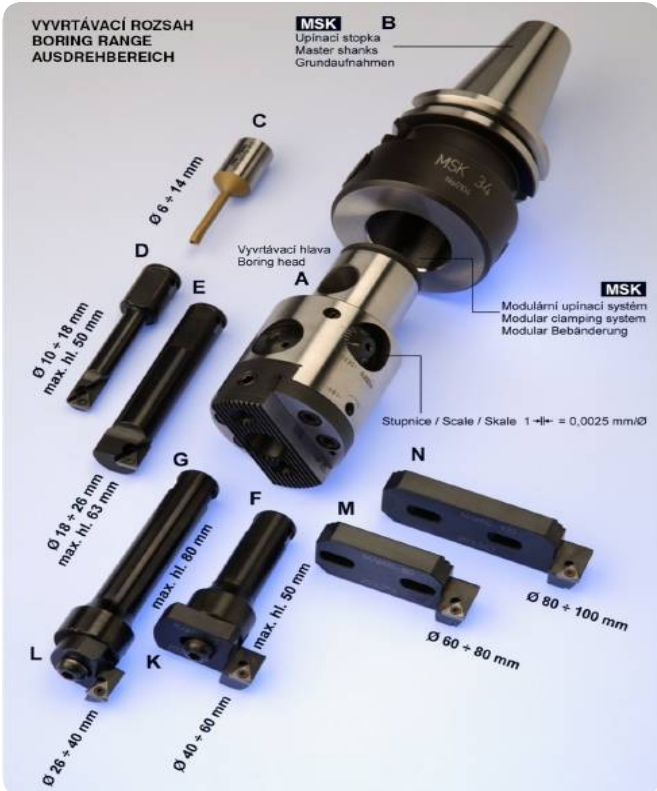


SPECIAL OFFER



Precision boring head 205bh

Dear customers,

within sales promotion of our innovated product 205bh we would like to offer You possibility to by this Fine boring head.

We offer You Precision boring head 205bh for special price:

Complete set 205bh (Ø10-100)

870 EUR

+ one taper shank for **35 EUR**

This offer is valid till sellout, at longest till 31.5.2011.



With all Your questions You can apply to:

Dana Cechova tel: +420 246 002 249
 fax: +420 246 002 335
 e-mail: sales@narexmte.cz

Basic technical information you can find in enclosed prospect and on www.narexmte.cz

This head is designed for CNC and conventional machine tools

Range of boring diameter: 6-100 mm
 Maximum revolutions: 6.000 RPM

Interchangeable taper shank - Modular connection system MSK 34

ISO 40 DIN 69871 AD
 ISO 50 DIN 69871 AD
 ISO 40 DIN 2080
 ISO 50 DIN 2080
 CAT 40, CAT 50
 BT 40, BT 50

Basic prices:

Complete set 205bh (10-100): 1.247 EUR
 (without taper)
 Only head 205bh: 713 EUR
 (without taper and accessories)
 Taper shanks MKS: from 164 – 187 EUR